

## MT-09 (2021) LPH

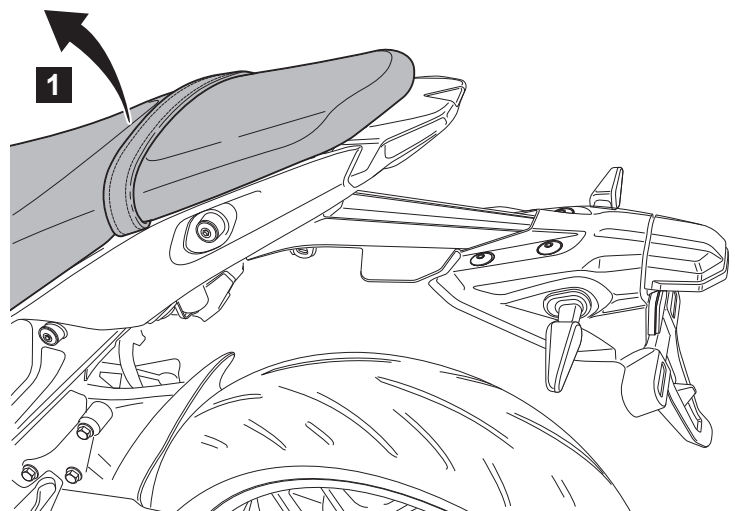
B7N-F16E0- \*\* - \*\*



Posnr.	QTY	
①	1	
②	1	
③	1	
④	1	
⑤	3	M5x10
⑥	4	M5 DIN 985
⑦	2	M5x12
⑧	2	M5
⑨	1	
⑩	1	
⑪	4	M6 DIN EN 1661
⑫	4	M6x12
⑬	1	
⑭	1	
⑮	1	
⑯	2	M6x16
⑰	1	100mm

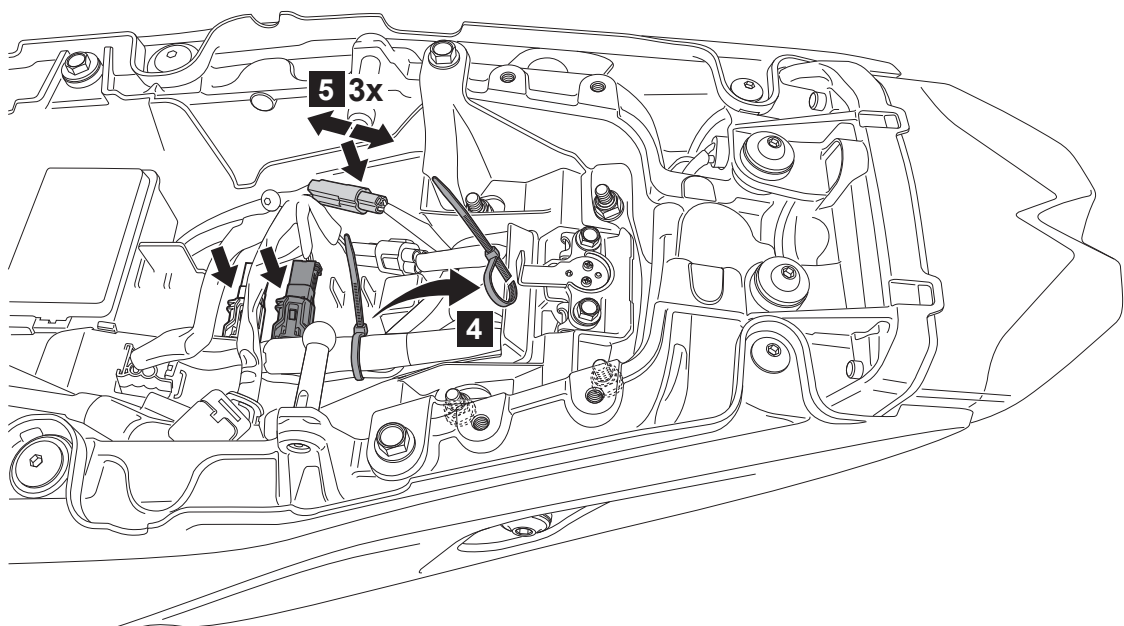
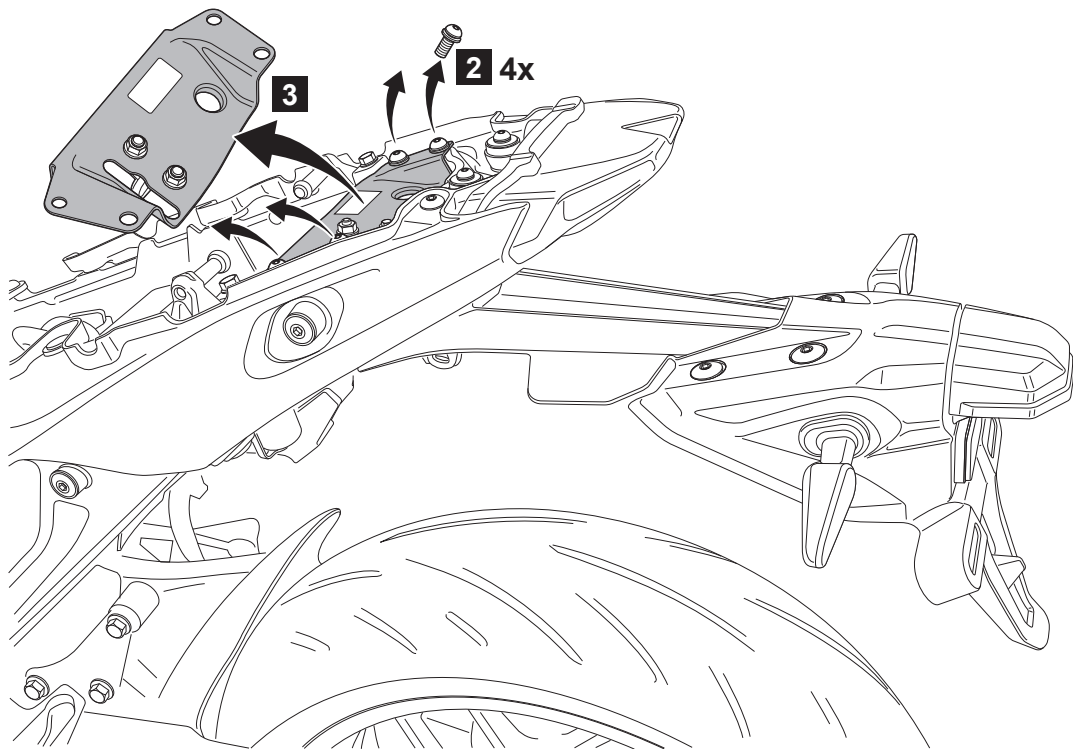


Posnr.	QTY	
⑱	1	
⑲	5	Ø16xØ7x1
⑳	2	YME-W0789-XX-00 Not included
㉑	2	
㉒	4	M6x30

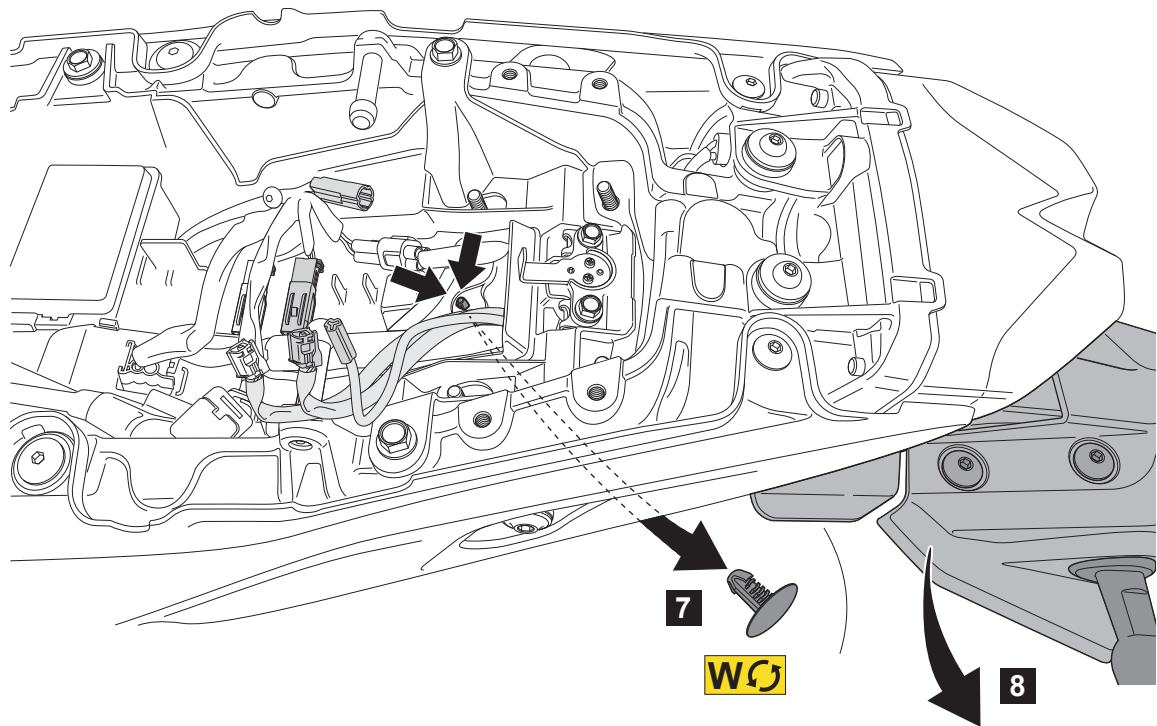
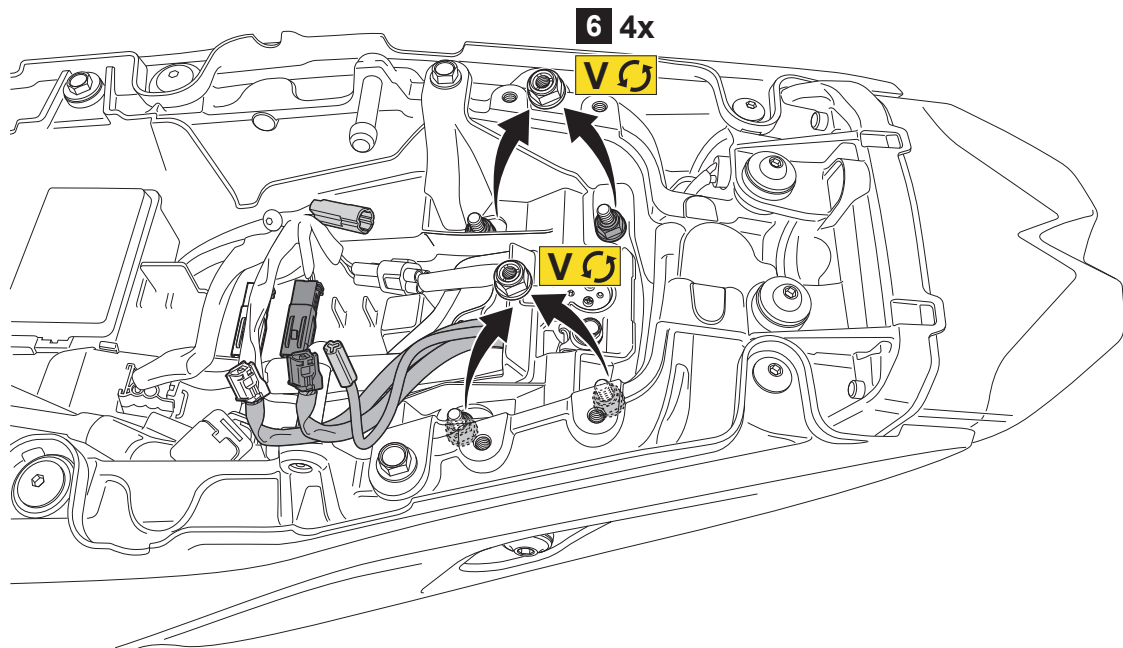


<p><b>Easy</b>, suitable for novice with little experience</p>	<p><b>Fairly easy</b>, suitable for beginner with some experience</p>	<p><b>Fairly difficult</b>, suitable for competent DIY mechanic</p>	<p><b>Difficult</b>, suitable for experienced DIY mechanic</p>	<p><b>Very difficult</b>, suitable for expert DIY or professional</p>
--	---	---	--	---

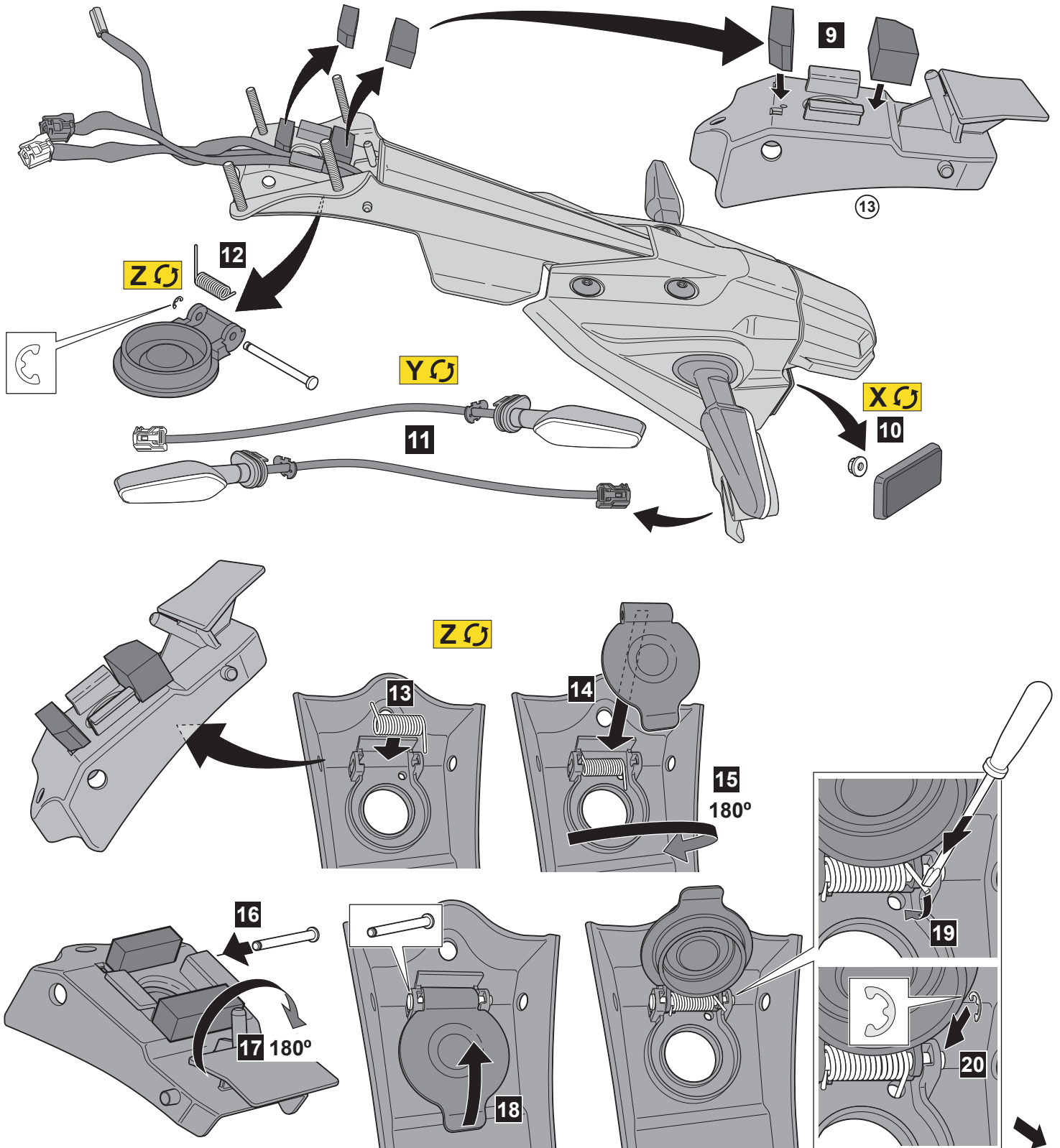
MT-09 (2021) LPH



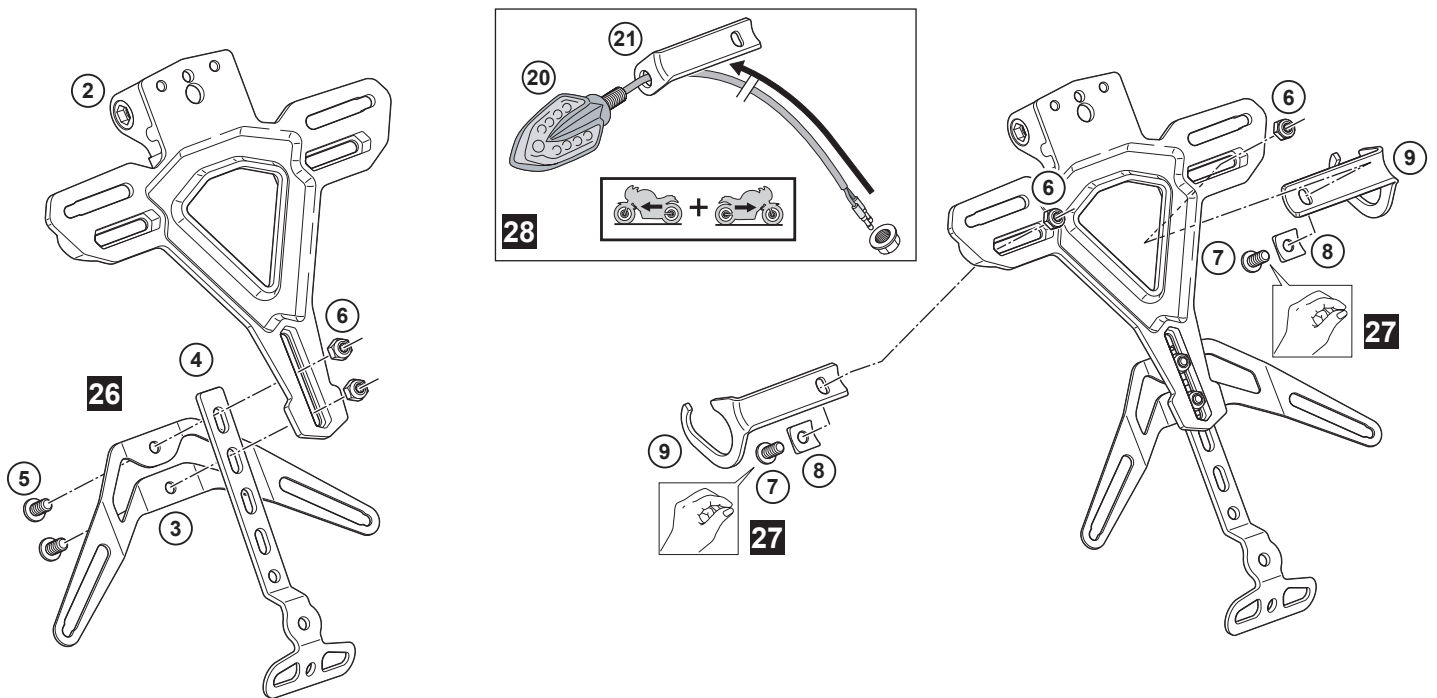
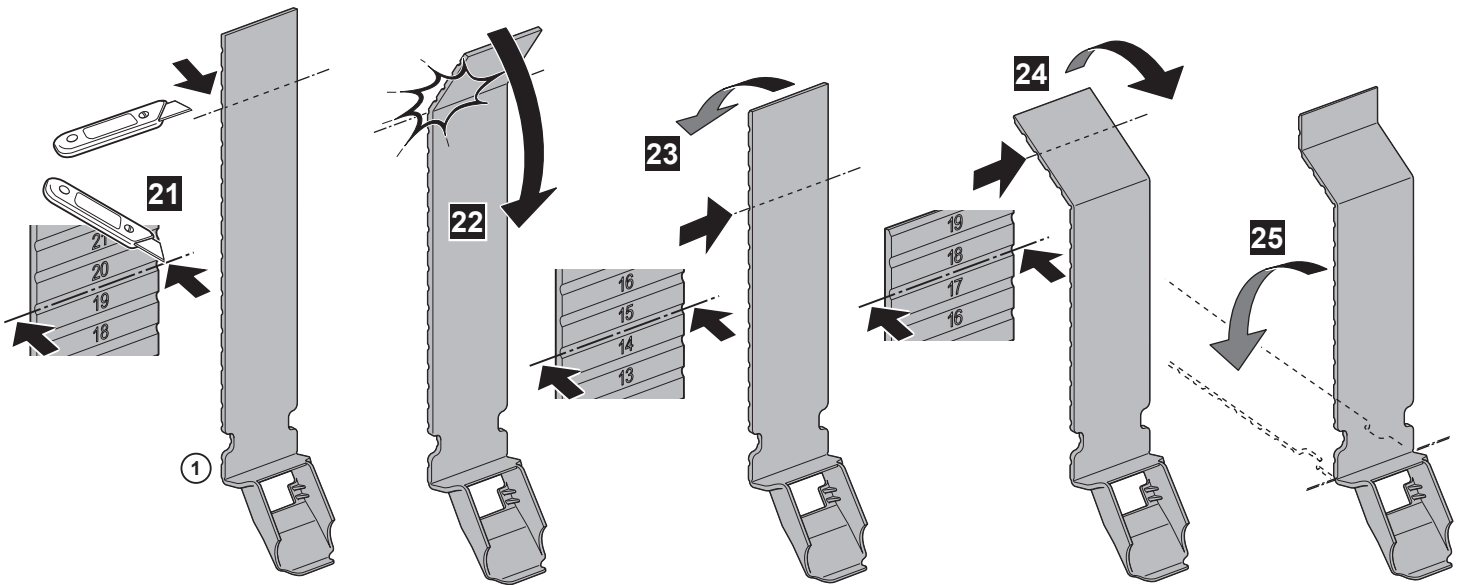
MT-09 (2021) LPH



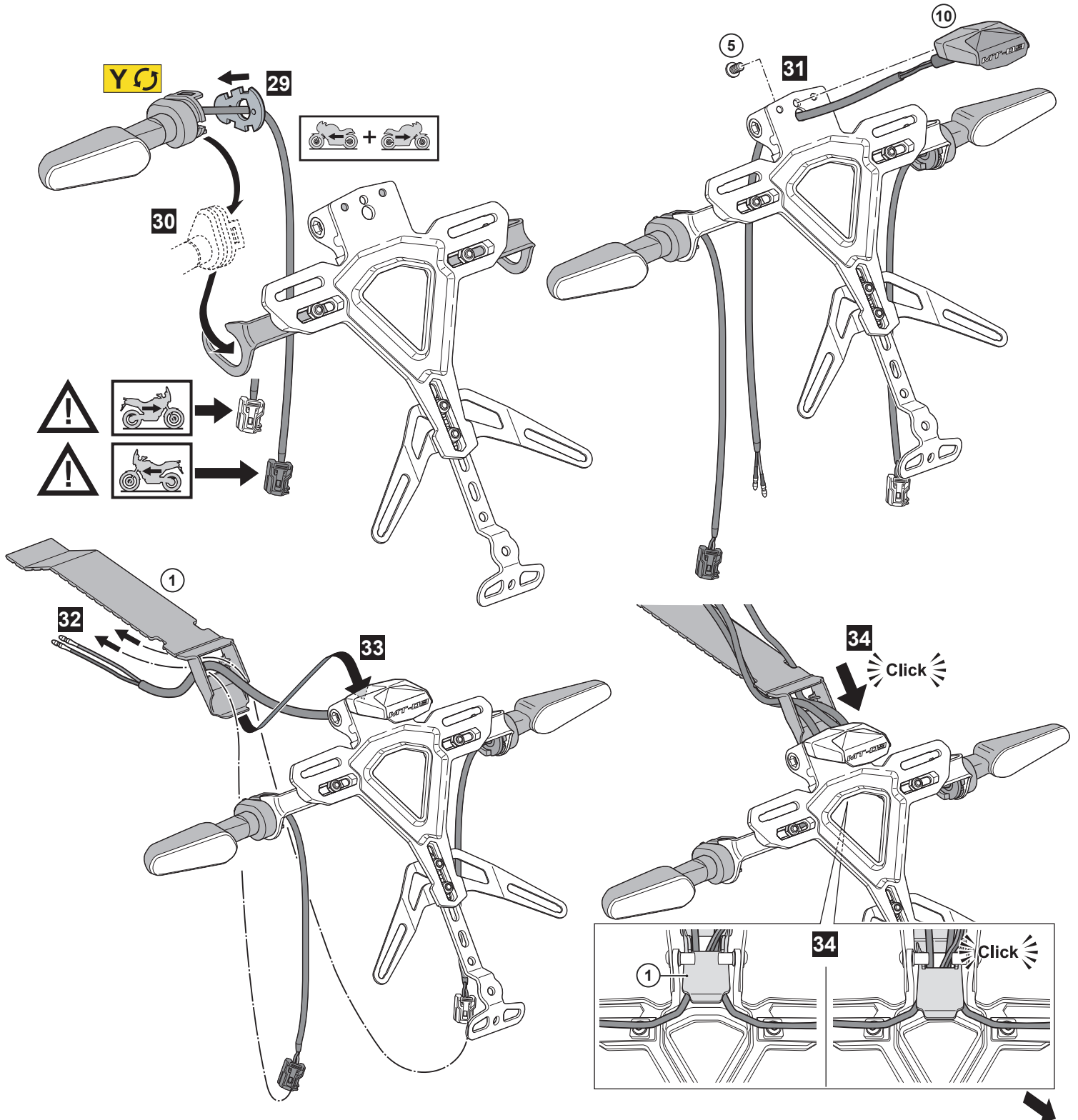
MT-09 (2021) LPH



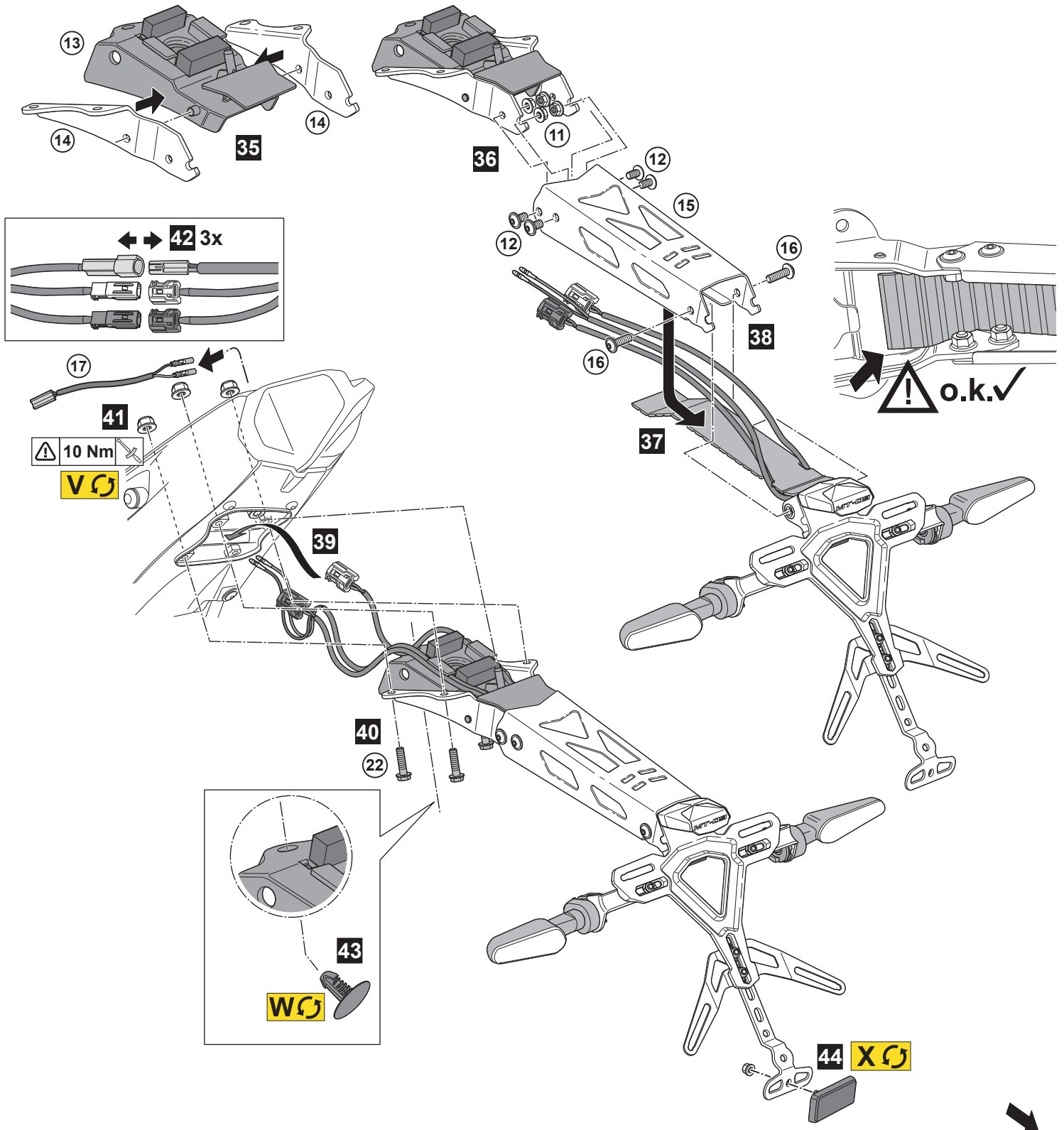
MT-09 (2021) LPH



MT-09 (2021) LPH



## MT-09 (2021) LPH



### MT-09 (2021) LPH

